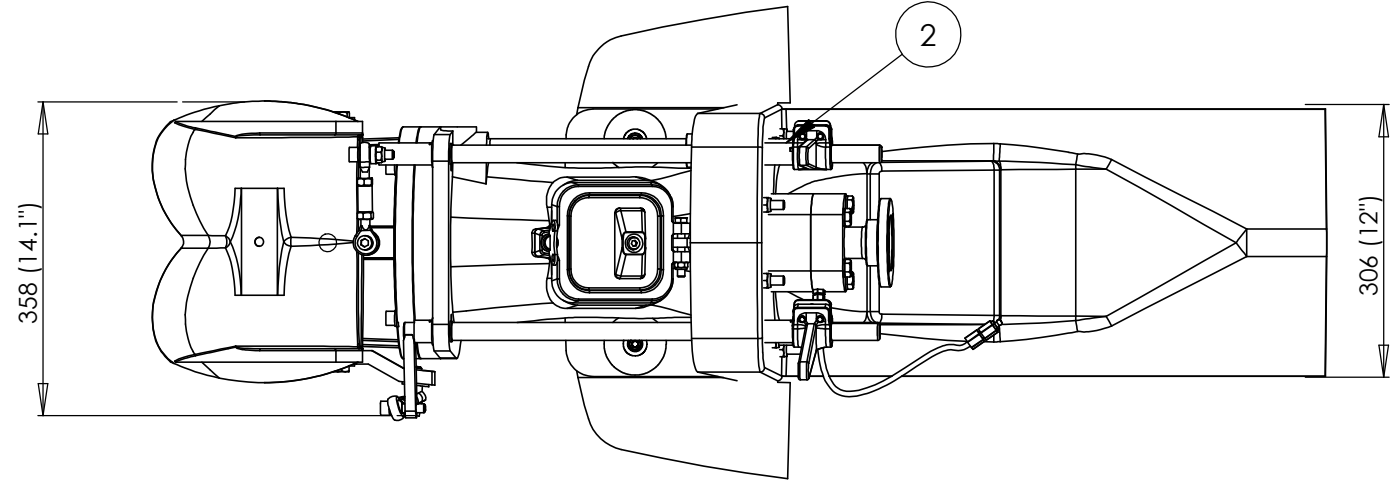
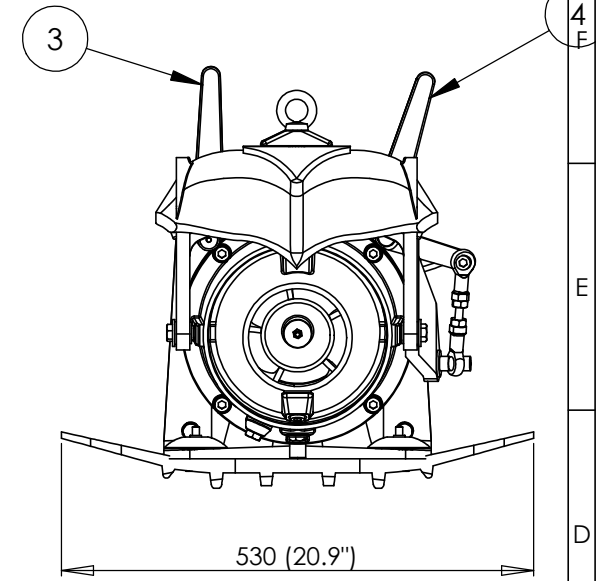
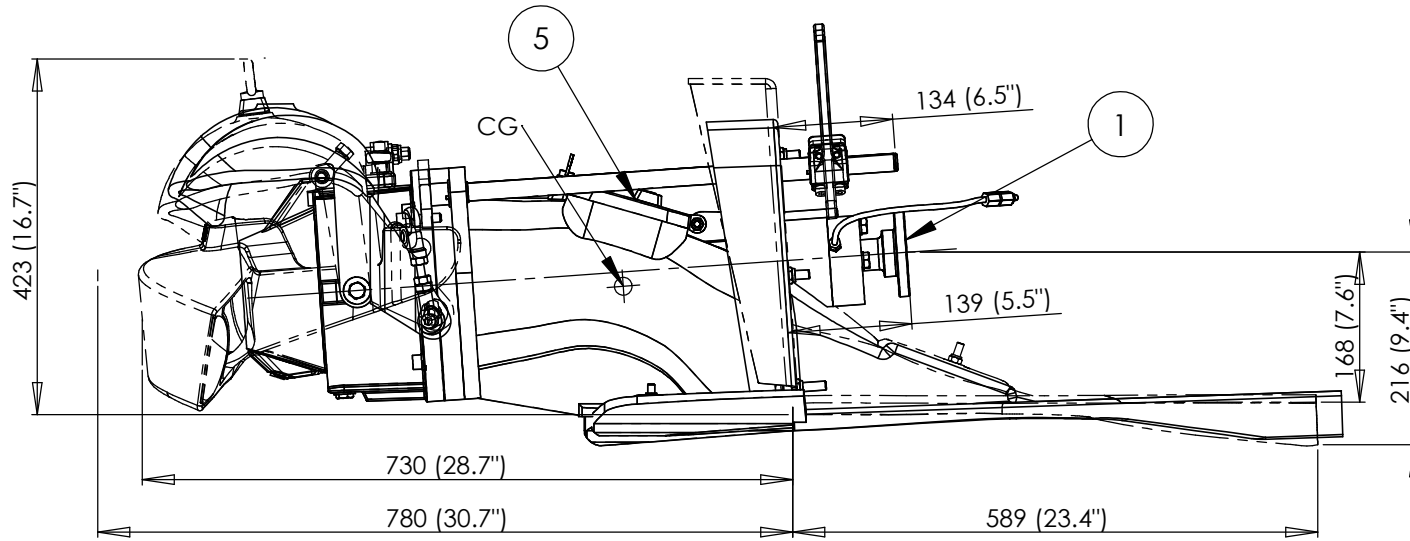


THE INFORMATION CONTAINED HEREIN IS CONFIDENTIAL AND PROPRIETARY TO ALAMARINJET AND IS NOT TO BE REPRODUCED, MODIFIED OR USED WITHOUT PERMISSION OF ALAMARINJET OR ITS DULY AUTHORIZED REPRESENTATIVE. ALL RIGHTS RESERVED.



Technical data

Max. power	120kW/163hp
Max . rpm	5000 1/s
Vessel displacement	1,7t (single jet, planing)
Impeller diameter	197mm (7.8")
Unit weight	50kg (110lbs)

1. Drive flange, several options.
2. 3/4" BSP raw water intake.
3. Steering lever.
4. Reverse deflector control lever.
5. Inspection hatch.
6. Aluminium insert.

Work Tolerances:
 Machining SFS4011 (ISO2768) middle
 Welded structures SFS3393-B length and angles
 Form and orientation tolerances DIN8570BL3 - E
 castings SFS-ISO8062



Surface treatment	Surface area [m ²]	Mass [kg]	Designer
	4.02	48.03	
Colour	ISO		Approved MAI
Product code		Version	
AJ 185		A	
Size	Scale	Page	
A3	1:6	1/5	

Muutos / Change	Suunnittelija / Designed	Hyväksyjä / Approved by
	Hra 27.01.2021	