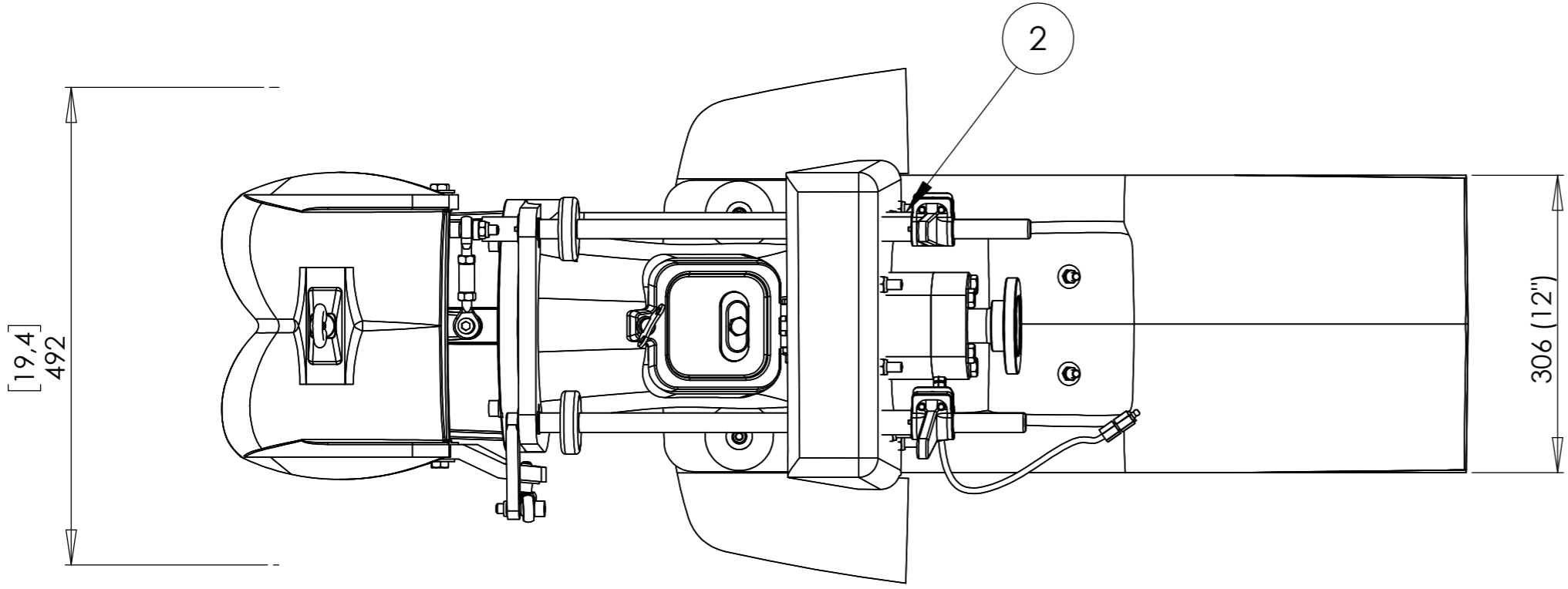
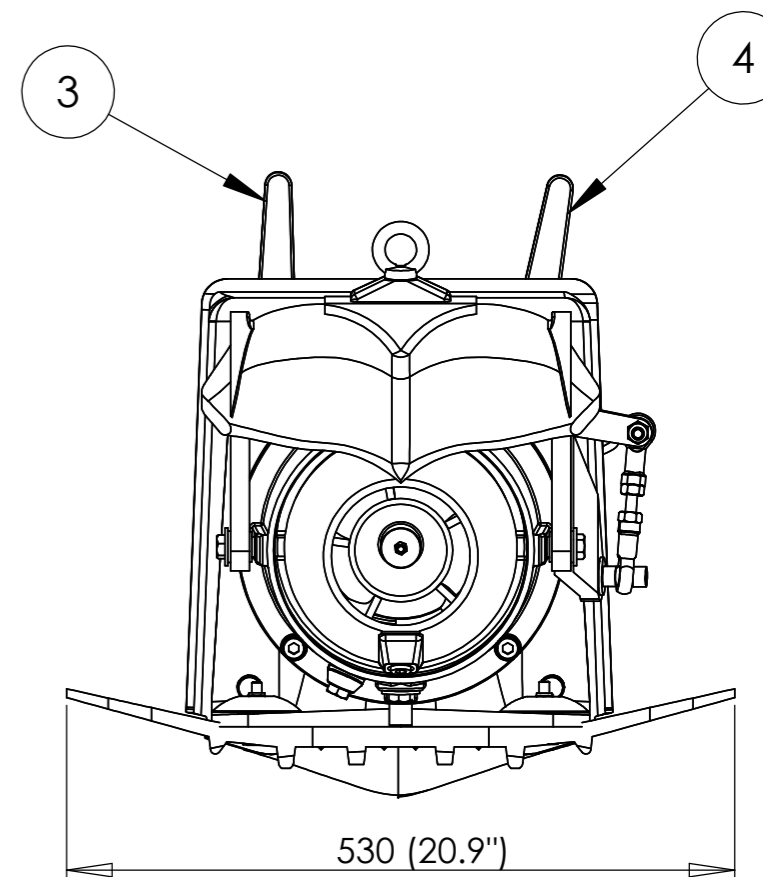
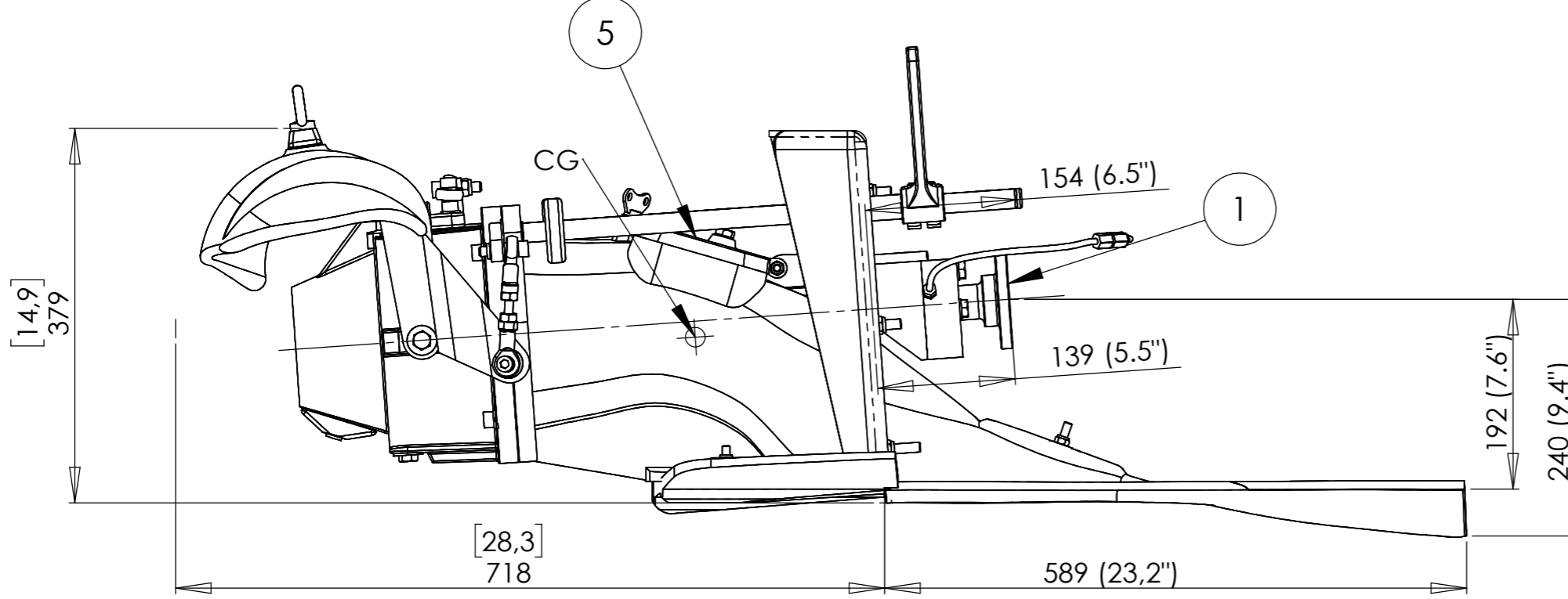


THE INFORMATION CONTAINED HEREIN IS CONFIDENTIAL AND PROPRIETARY TO ALAMARIN-JET OY AND IS NOT TO BE REPRODUCED, MODIFIED OR USED WITHOUT PRIOR PERMISSION OF ALAMARIN-JET OY OR ITS DULY AUTHORIZED REPRESENTATIVE. ALL RIGHTS RESERVED.



Technical data

Max. power	110kW/150hp
Max . rpm	5000 1/s
Vessel displacement	1,7t (single jet, planing)
Impeller diameter	192mm (7.6")
Unit weight	48kg (106lbs)

1. Drive flange, several options.
2. 3/4" BSP raw water intake.
3. Steering lever.
4. Reverse deflector control lever.
5. Inspection hatch.

Work Tolerances: Machining SFS4011 (ISO2768) middle Welded structures SFS3393-B length and angles Form and orientation tolerances DIN8570BL3 - E castings SFS-ISO8062	Surface treatment	Surface area [m ²]	Mass [kg]	Designer
	Colour	3.07	48.16	VL
		Approved MAI 30.10.2008		Version
		Product code AJ 180		C
Size A3		Scale 1:6		Page 1/4

Muutos / Change	Suunnittelija / Designed	Hyväksyjä / Approved by
lisätty lasikuituinen aennusosa	Hra 08.10.2018	VL 17.01.2023