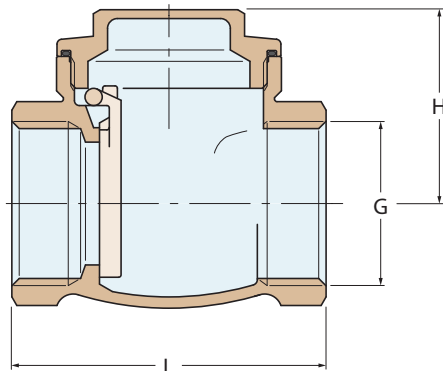


valvole di non ritorno e filtraggio non-return and filtering valves

1670

Valvola a clapet tenuta metallica
Swing check valve metal tightness



FILETTATURE / THREAD :
G = ISO 228/1 (BS 2779)

1670	■	■	■	■	■	■	■	■	■	■
PN	16	16	16	16	16	16	16	16	16	10
Weight (gr)	170	145	210	335	485	650	1000	1555	2240	3795
H	32	32	35	39	47	51	59	67	77	92
L	47	47	54	64	76	83	98	116	135	164
G	3/8"	1/2"	3/4"	1"	1 1/4"	1 1/2"	2"	2 1/2"	3"	4"

1670B	■	■	■	■	■	■	■	■	■
PN	16	16	16	16	16	16	16	16	16
Weight (gr)	215	350	500	690	870	1380	2050	3190	5600
H	36	43	49	57	63	69	82	91	123
L	55	62	72	82	90	105	125	144	176
G	1/2"	3/4"	1"	1 1/4"	1 1/2"	2"	2 1/2"	3"	4"



Ottone sabbiato
Yellow brass

1670B



Bronzo
Bronze