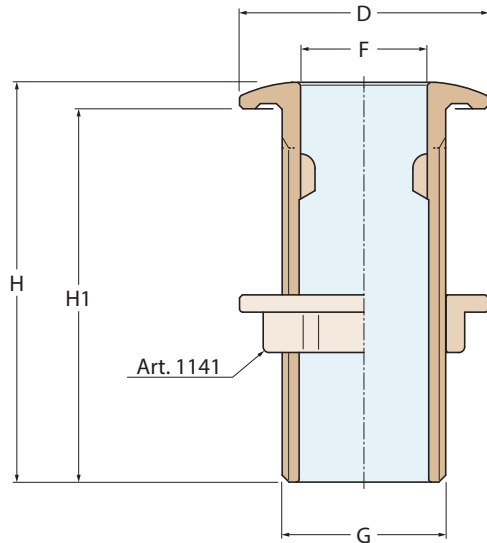


# prese e scarichi a mare water intakes and thru-hulls

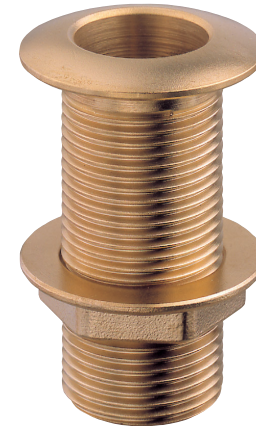
**1255**

**Scarico a mare serie "export" normale**  
Thru-hull connection "export" normal series



FILETTATURE / THREAD :  
G = ISO 228/1 (BS 2779)

<b>1255</b>	■	■	■	■	■	■	■
<b>1255C</b>	■	■	■	■	■	■	■
Weight (gr)	60	100	160	255	345	450	640
H	54	65	70	75	75	76	76
D	30	35	42	50	60	66	82
H1	50	61	65	70	70	70	70
F	12	15	20	25	34	39	50
<b>G</b>	<b>3/8"</b>	<b>1/2"</b>	<b>3/4"</b>	<b>1"</b>	<b>1"1/4</b>	<b>1"1/2</b>	<b>2"</b>



Ottone sabbato ■  
Yellow brass

**1255C**



Ottone cromato ■  
Chromium-plated brass