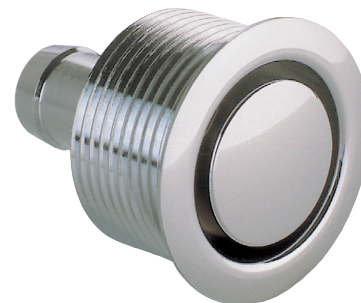
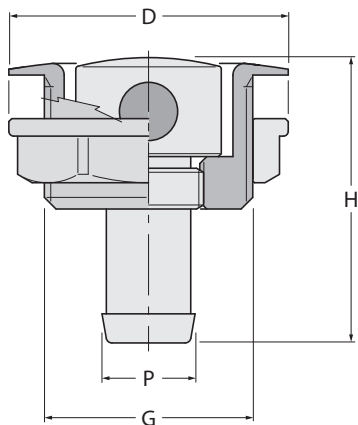


# sfiati e ombrinali vents and scuppers

**1187**

**Sfiato portagomma diritto a scomparsa**  
Flush tank vent with hose connection - straight



<b>1187</b>	■	■
Weight (gr)	210	320
D	48	54
H	49	59
P	16	20
<b>G</b>	<b>ø35x14 Fil.</b>	<b>1"1/4</b>

Ottone cromato ■  
Chromium-plated brass