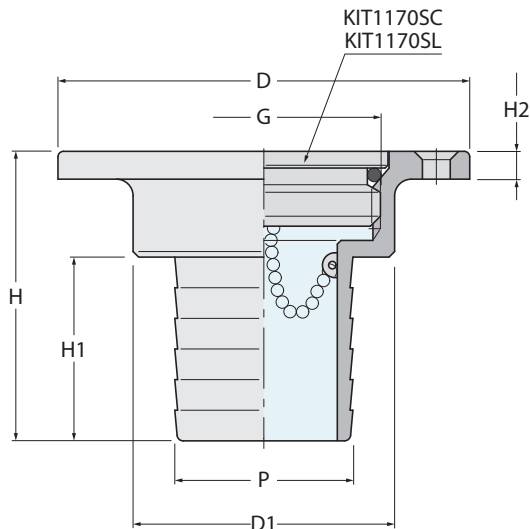


# tappi imbarco e tappi scarico deck fillers and pump-out

1177

Tappo imbarco a filo "DIESEL" con portagomma  
"DIESEL" deck filler with hose connector



FILETTATURE / THREAD :  
G = ISO 228/1 (BS 2779)



Ottone cromato  
Chromium-plated brass

1177L



Ottone lucido  
Polished brass

	1177	1177L	1177L
Weight (gr)	430	455	540
H	65	65	65
H1	45	45	46
H2	5	5	5
D1	54	54	54
D	83	83	83
P	38	40	50
G	1"1/2	1"1/2	1"1/2