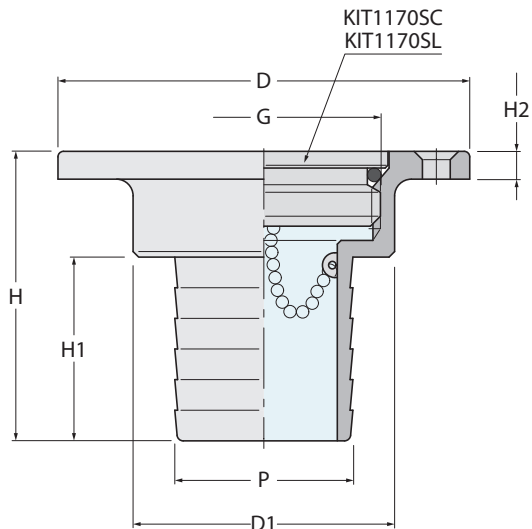


tappi imbarco e tappi scarico deck fillers and pump-out

1174

Tappo imbarco a filo "WASTE" con portagomma
"WASTE" deck filler with hose connector



FILETTATURE / THREAD :
G = ISO 228/1 (BS 2779)



Ottone cromato
Chromium-plated brass

1174	■	■	■
1174L	■	■	■
Weight (gr)	430	455	540
H	65	65	65
H1	45	45	46
H2	5	5	5
D1	54	54	54
D	83	83	83
P	38	40	50
G	1"1/2	1"1/2	1"1/2

1174L



Ottone lucido
Polished brass