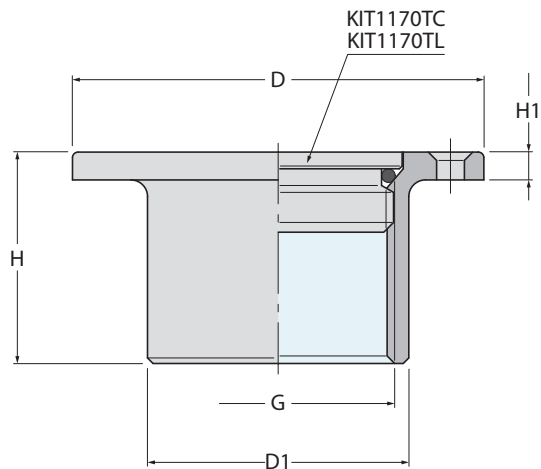


# tappi imbarco e tappi scarico deck fillers and pump-out

**1173**

**Tappo imbarco a filo "FUEL"**  
"FUEL" deck filler



FILETTATURE / THREAD :  
G = ISO 228/1 (BS 2779)



**1173** ■

**1173L** ■

Weight (gr) 440

H 48

H1 5

D1 54

D 83

**G 1"1/2**

Ottone cromato ■  
Chromium-plated brass

**1173L**



Ottone lucido ■  
Polished brass