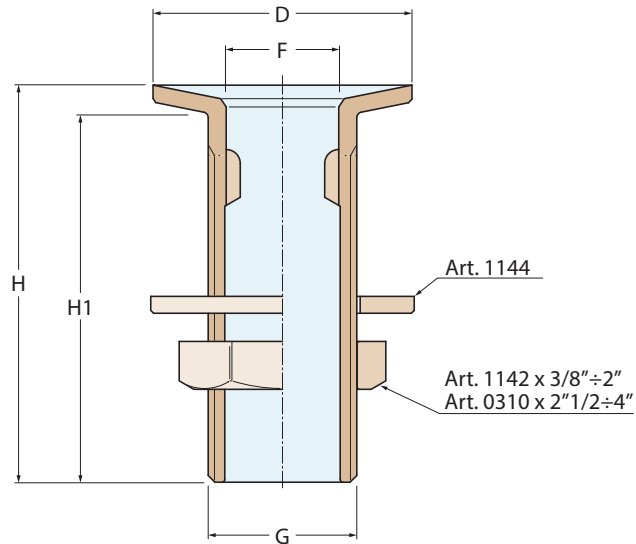


# prese e scarichi a mare water intakes and thru-hulls

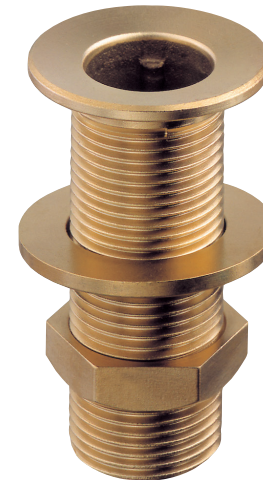
**1122**

**Scarico a mare a pozzetto**  
Thru-hull connection well pattern



FILETTATURE / THREAD :  
G = ISO 228/1 (BS 2779)

1122	75	115	190	335	445	580	880	1840	2530	4120
1122C										
Weight (gr)	75	115	190	335	445	580	880	1840	2530	4120
H	55	65	70	85	86	95	107	128	157	207
H1	50	60	65	80	80	90	100	122	148	200
F	12	15	20	25	33	39	50	63	76	100
D	30	35	45	53	62	69	82	108	118	150
G	3/8"	1/2"	3/4"	1"	1 1/4"	1 1/2"	2"	2 1/2"	3"	4"



Ottone sabbato  
Yellow brass

**1122C**



Ottone cromato  
Chromium-plated brass