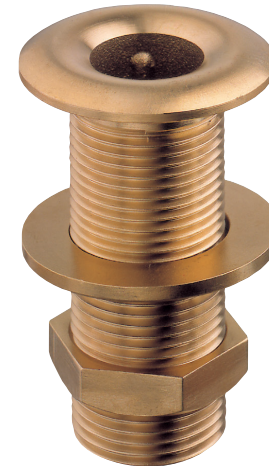
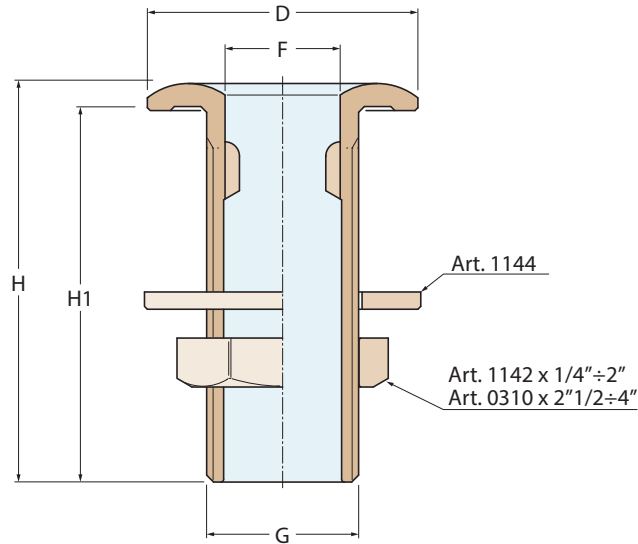


# prese e scarichi a mare water intakes and thru-hulls

**1121**

**Scarico a mare**  
Thru-hull connection



FILETTATURE / THREAD :  
G = ISO 228/1 (BS 2779)

	1121	1121C									
Weight (gr)	40	85	125	205	350	470	650	990	1950	2560	4300
H	53	55	65	70	85	86	96	107	130	158	209
H1	49	50	60	65	80	80	90	100	122	150	200
F	8	12	15	20	25	33	39	50	63	76	100
D	22	32	36	47	54	63	70	85	110	123	150
G	1/4"	3/8"	1/2"	3/4"	1"	1"1/4	1"1/2	2"	2"1/2	3"	4"

Ottone sabbato  
Yellow brass

**1121C**



Ottone cromato  
Chromium-plated brass