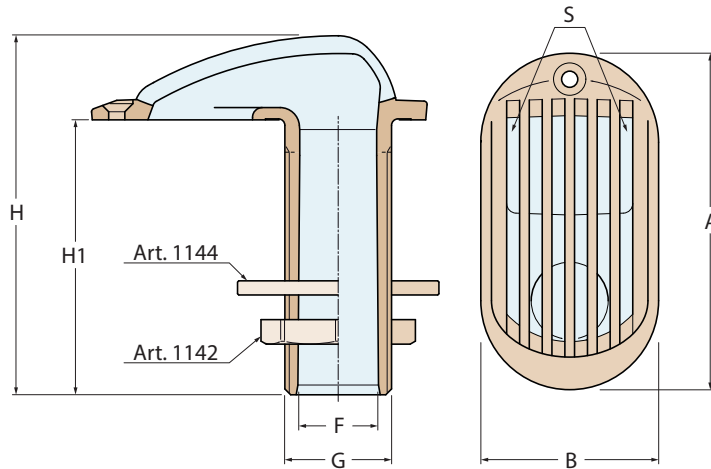


prese e scarichi a mare water intakes and thru-hulls

1120F

Preso a mare tutta fresata
Full grated water intake



FILETTATURE / THREAD :
G = ISO 228/1 (BS 2779)

1120F	■	■	■	■	■	■	■
Weight (gr)	212	298	413	623	901	1155	1676
S (cm ²)	8.3	9.7	14	20	26	33	46
H	95	103	104	111	118	129	142
H1	75	80	80	85	90	100	110
F	11.5	15	19	25	33	38.5	49.5
A	74	81	93	104	118	130	154
B	37	40	47	55	64	71	84
G	3/8"	1/2"	3/4"	1"	1"1/4	1"1/2	2"

Ottone sabbato ■
Yellow brass