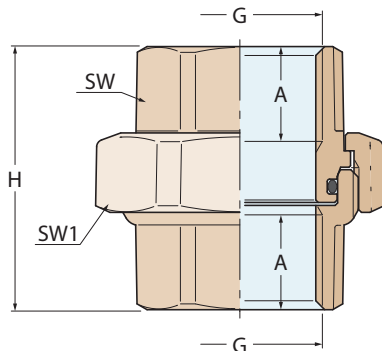


# raccorderia ottone pipe fittings brass

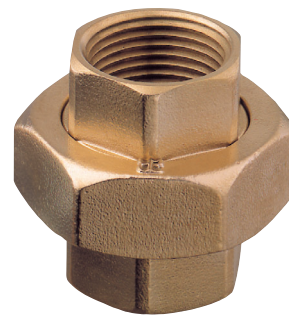
## 0340

**Bocchettone femmina sede conica con O-ring**  
Union F-F tapered seat with O-ring



\* Senza O-ring  
Without O-ring

FILETTATURE / THREAD:  
G = EN 10226/1 (BS 21)



Ottone sabbaiato  
Yellow brass

## 0340N



Ottone nichelato  
Nickel-plated brass

|              | 1/8"         | 1/4"         | 3/8"         | 1/2"        | 3/4"        | 1"        | 1 1/4"        | 1 1/2"        | 2"        | 2 1/2"        | 3"        | 4"        |
|--------------|--------------|--------------|--------------|-------------|-------------|-----------|---------------|---------------|-----------|---------------|-----------|-----------|
| <b>0340</b>  | ■            | ■            | ■            | ■           | ■           | ■         | ■             | ■             | ■         | ■             | ■         | ■         |
| <b>0340N</b> |              |              |              | ■           | ■           | ■         | ■             | ■             | ■         |               |           |           |
| Weight (gr)  | 61           | 95           | 135          | 210         | 285         | 365       | 510           | 670           | 1000      | 1600          | 1900      | 2750      |
| SW1          | 24           | 30           | 35           | 39          | 45          | 53        | 63            | 70            | 84        | 103           | 118       | 147       |
| SW           | 14           | 18           | 22           | 25          | 31          | 38        | 47            | 54            | 67        | 82            | 95        | 122       |
| H            | 34           | 37           | 40           | 45          | 47          | 53        | 58            | 59            | 69        | 75            | 82        | 90        |
| A            | 9            | 11           | 12           | 15          | 16.3        | 19.1      | 21.4          | 21.4          | 25.7      | 28            | 30        | 33        |
| <b>G</b>     | <b>*1/8"</b> | <b>*1/4"</b> | <b>*3/8"</b> | <b>1/2"</b> | <b>3/4"</b> | <b>1"</b> | <b>1 1/4"</b> | <b>1 1/2"</b> | <b>2"</b> | <b>2 1/2"</b> | <b>3"</b> | <b>4"</b> |