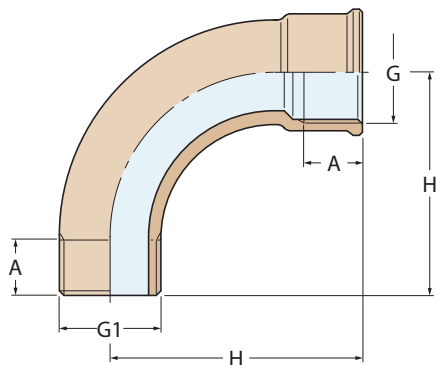


raccorderia ottone pipe fittings brass

0001

Curva a 90° M-F
90° bend M-F



FILETTATURE / THREAD :
G = ISO 228/1 (BS 2779)
G1 = EN 10226/1 (BS 21)



Ottone sabbiato
Yellow brass

0001	■	■	■	■	■	■	■
0001N	■	■	■	■	■	■	■
Weight (gr)	80	105	171	310	545	690	1175
H	40	45	55	70	90	100	120
A	10	13	14.5	17	19	19	23.5
G - G1	3/8"	1/2"	3/4"	1"	1"1/4	1"1/2	2"

0001N



Ottone nichelato
Nickel-plated brass